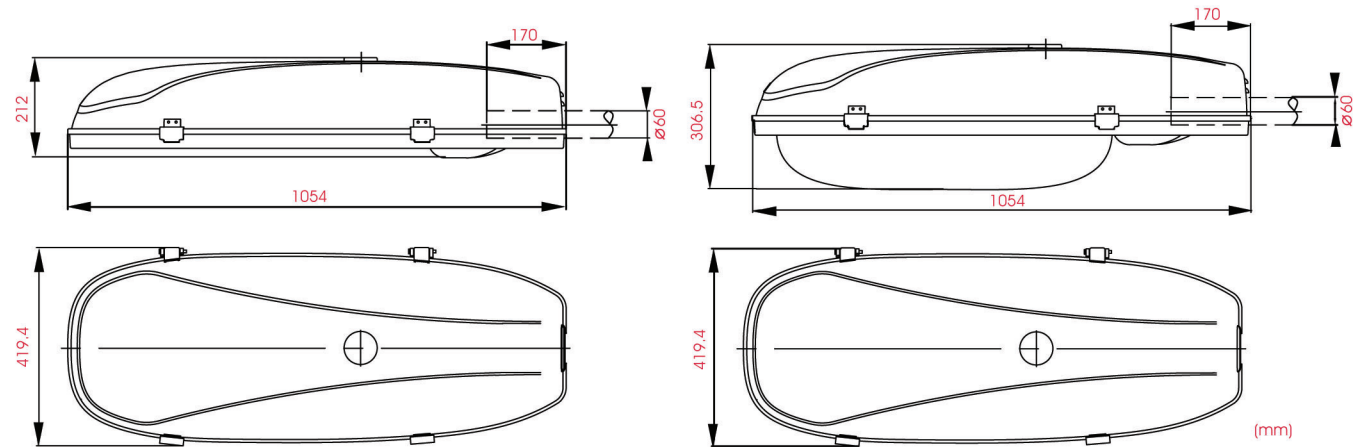


# Roadway Luminaire



Type	Lamp	PSU Frequency (Hz)	Voltage (V)	Current (A)	IP
Roadway	250W Square Tubular	50/60	120/220/277	1.22	65
Roadway	250W Square Tubular	50/60	120/220/277	0.97	65
Roadway	250W Square Tubular	50/60	120/220/277	1.22	65
Roadway	250W Square Tubular	50/60	120/220/277	0.97	65